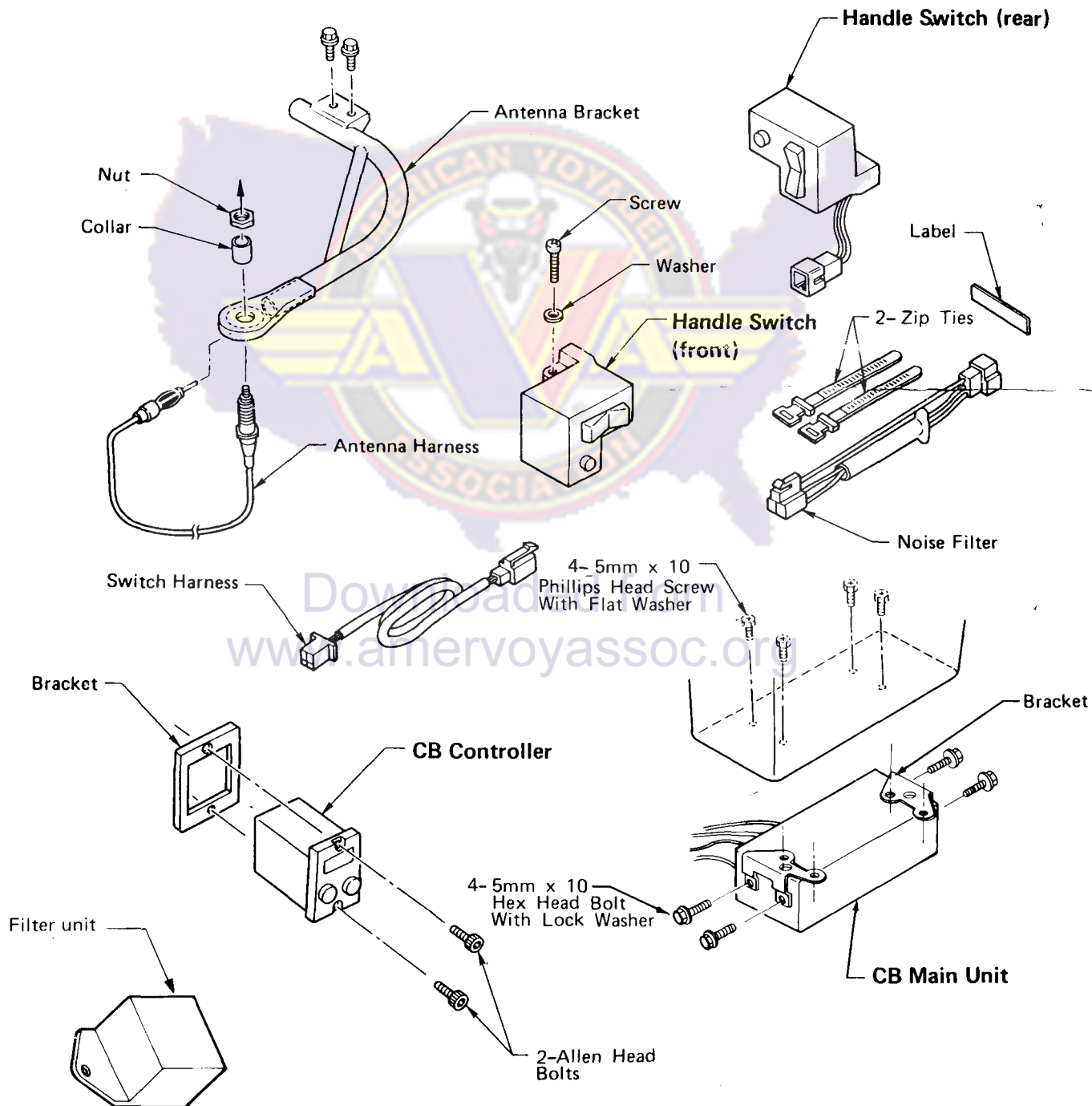


**Notice to Dealer:**

This guide provides you with necessary information to install Kawasaki/Clarion Audio System optional parts on the motorcycle and should be read carefully and understood before starting the operation.

To know the Audio System operating procedures and cares, please refer to ZG1200 Audio System Operator's Manual (P/No. 99920-1345-01).

**PARTS LIST**

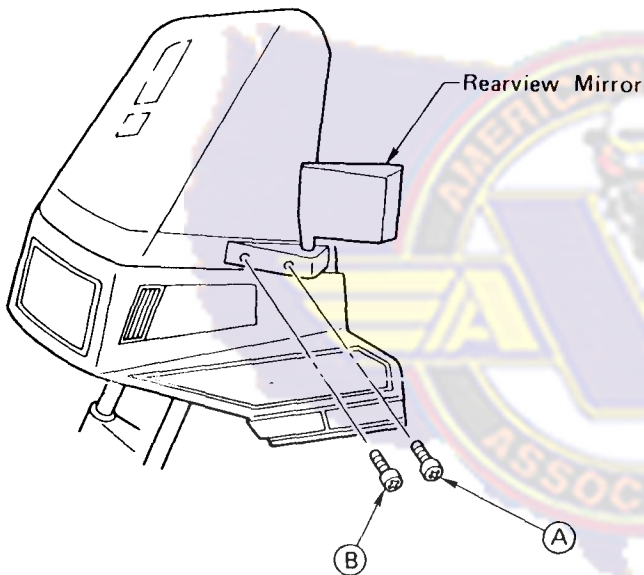


## TOOLS REQUIRED

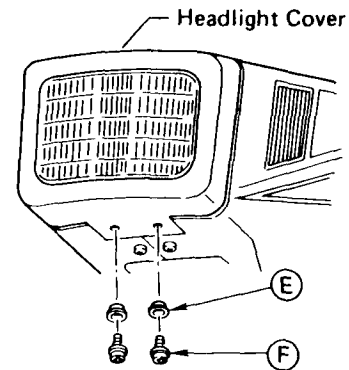
- 10 mm Socket
- Socket Ratchet Handle
- #1, #2 Phillips Screwdriver
- 8mm (Open-End) Wrench
- 12mm Swivel-head Socket T-wrench
- Pliers
- 3mm Allen Wrench

## INSTALLATION PROCEDURE

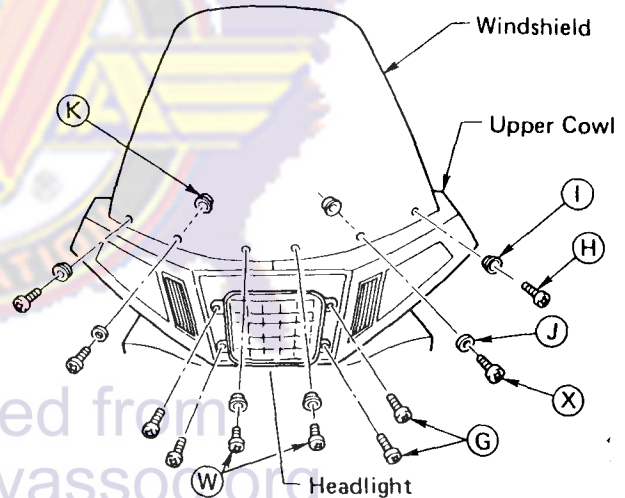
- **Keep the Ignition Switch off during installation.**
- **Rearview Mirror Removal**  
Remove (A) and (B) as shown in the figure, and then the Rearview Mirror. Remove the opposite side mirror in the same way.



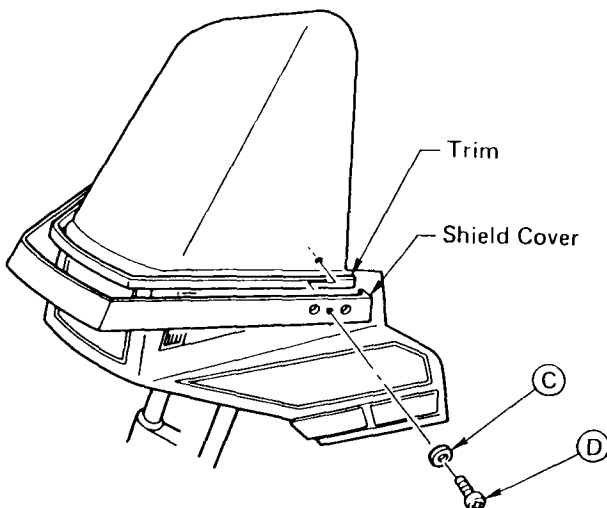
- **Headlight Cover Removal**  
Remove (E) (2 pcs.) and (F) (2 pcs.) from the Headlight Cover bottom.  
Remove the Headlight Cover.



- **Headlight and Windshield Removal**
  - 1) Remove (G) (4 pcs.) as shown in the figure, and then the Headlight (leave the lamp hanging from its cables).
  - 2) Remove (H) (2 pcs.), (I) (4 pcs.), (J) (2 pcs.), (K) (2 pcs.), (X) (2 pcs.) and (Y) (2 pcs.). Then remove the Windshield.

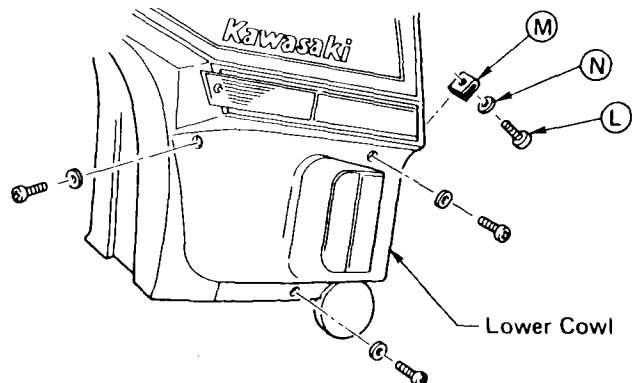


- **Windshield Cover Removal**  
Remove (C) and (D) as shown in the figure, and then the Shield Cover and the Trim.



- **Left Lower Cowl Removal**  
Remove (L) (4 pcs.), (N) (4 pcs.), and the Left Lower Cowl as shown in the figure.

**Note:** Take care not to drop the engine side Square Nut (M).



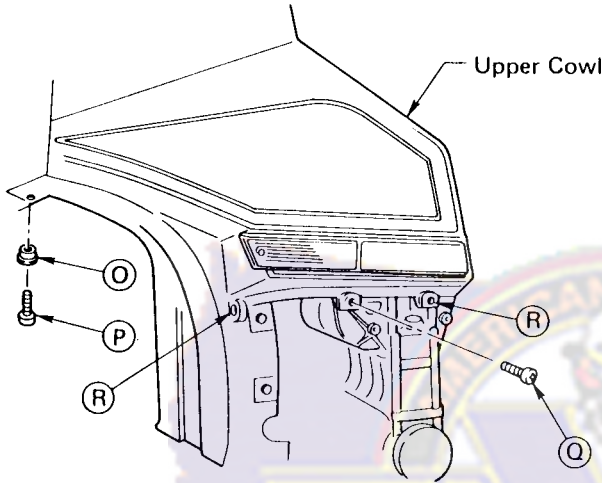
- **Left Upper Cowl Removal**

Remove (O), (P), (Q) and the Left Upper Cowl as shown in the figure. When doing so, take care not to drop the Square Nuts (R) (2 pcs.) that are fixing the Lower Cowl.

When removing the Upper Cowl, also remove the Turn Signal and Side Lamp Coupler.

Remove the Speedmeter Cable at the Wheel side, and then remove the Upper Cowl.

As a preparation for mounting, remove the 2 louvers attached to the Upper Cowl by pushing the nails in.



- **Rear Seat Removal**

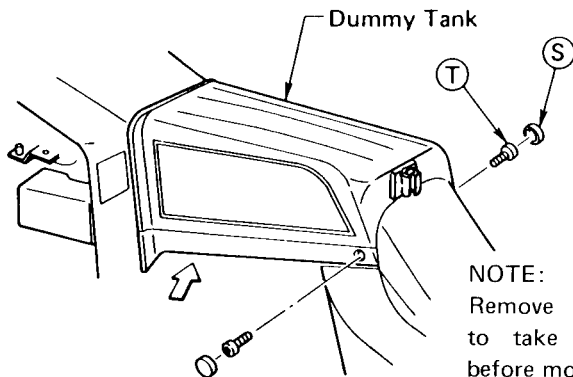
- 1) Slide the Rear Trunk to its rearmost position.
- 2) Remove the 2 bolts on the Rear Seat back and remove the seat by lifting its back side and pulling it back.

- **Driver's Seat Removal**

In the same way, remove the 2 bolts on the back and remove the seat by lifting its back side and pulling it back.

- **Dummy Tank Removal**

Remove (S) (2 pcs.) and (T) (2 pcs.), and remove the Dummy Tank while removing the right and left locks indicated by the arrows at both sides.



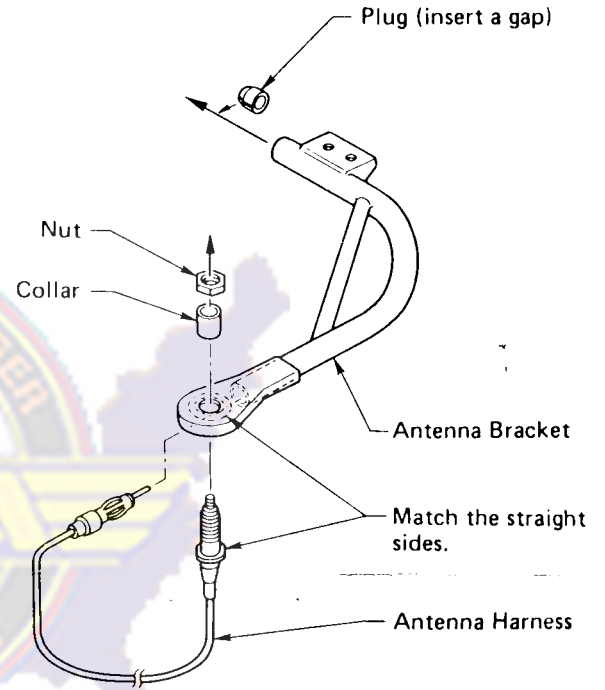
**NOTE:**  
Remove the paint here in order to take a steady ground earth before mounting antenna bracket.

- **Rear Trunk Removal**

Remove the 2 Wing Nuts from the Rear Trunk bottom, and remove the trunk by pulling it back to its rearmost position.

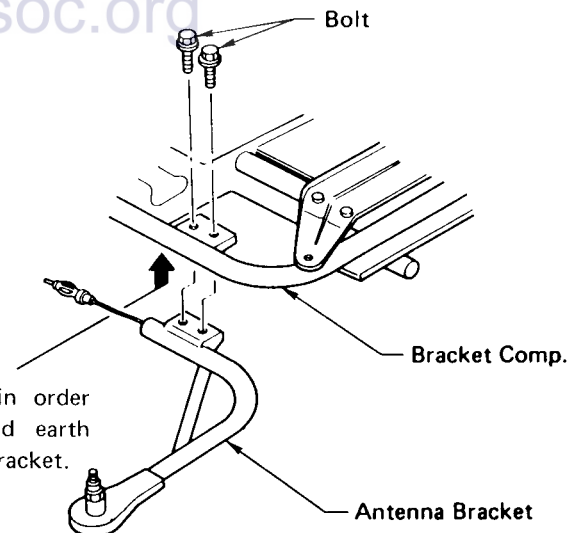
- **Passing the Antenna Harness through the Antenna Bracket**

Pass one end of the Antenna Harness through the Antenna Bracket, as shown in the figure, till it reaches the plug. Pass the other end through the Antenna Bracket hole and the Collar, and then fix it with the nut.



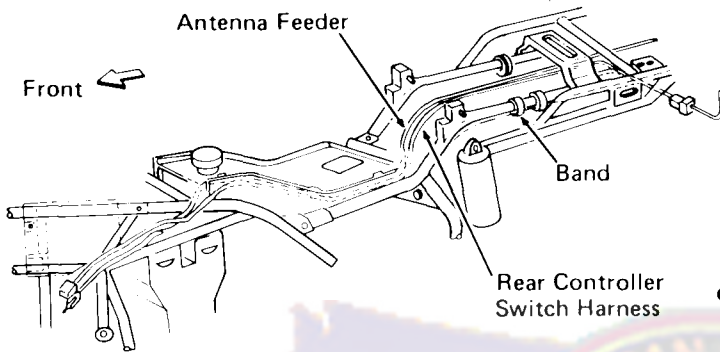
- **Attaching the Antenna Bracket to the Chassis**

Attach the Bracket to the Bracket Comp. using 2 bolts at the places shown in the figure (Observe the Antenna Bracket Position).



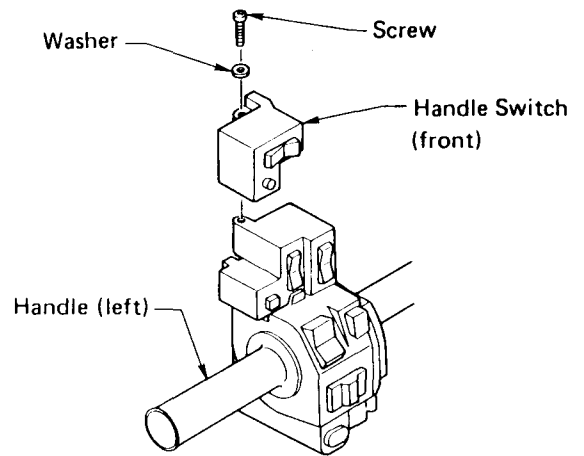
● **Antenna Feeder and Rear Controller Switch Harness Setting**

- 1) Place the Antenna Lead as shown in the figure. Route Antenna Lead over top of gas tank (Securing Lead on tank with existing retainers) along wire harness, under rear seat support to Antenna location.
- 2) Place the Rear Controller Switch Harness as shown in the figure and connect it to the Rear Controller Switch.



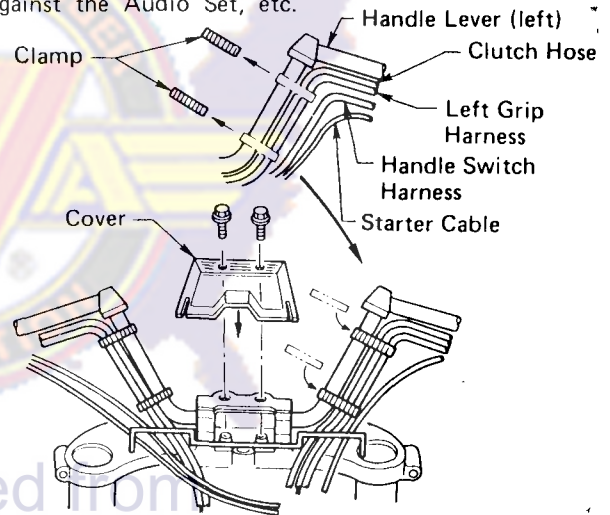
● **Handle Switch (front) Attachment**

Mount the Handle Switch on the Left Handle with a screw and a washer as shown in the figure.



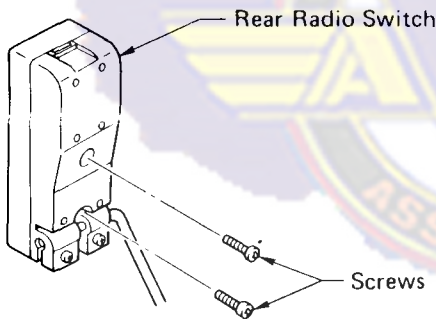
● **Handle Switch Harness Setting**

Fix the Harness with clamps and wire it as you did with the Handle Switch Harness. When doing so, turn the Handle left and right and confirm that it does not bump against the Audio Set, etc.



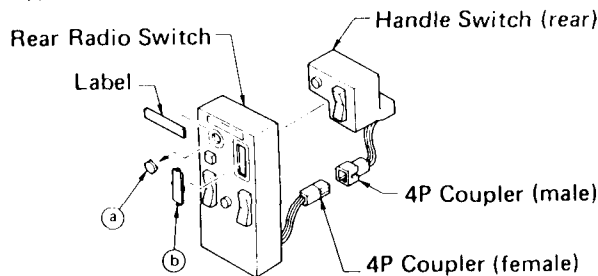
● **Rear Radio Switch Back Cover**

Remove the 2 screws on the back side of the rear radio switch and open switch housing.



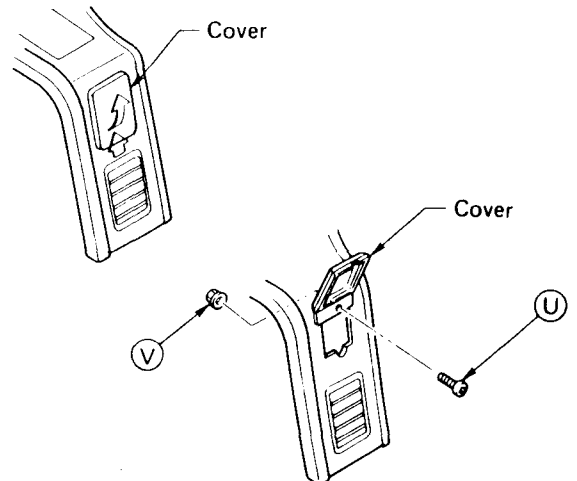
● **Attaching the Handle Switch (rear) to the Rear Radio Switch**

- 1). Cut and remove (a) and (b) (2 pcs.) as shown in the figure. Make sure opening is free of all burrs and obstructions.
- 2). Attach the Handle Switch (rear) to the Rear Radio Switch, matching it to the holes opened in 1). Check to see that switch operates freely.
- 3). Connect the Rear Radio Switch 4 Pin Coupler (female) to the Rear Handle Switch 4 Pin Coupler (male).
- 4). Install the Rear Radio Switch Back Cover (when doing so, take care not to squeeze any cable. Tighten screws firmly).
- 5). Finally, attach the label.



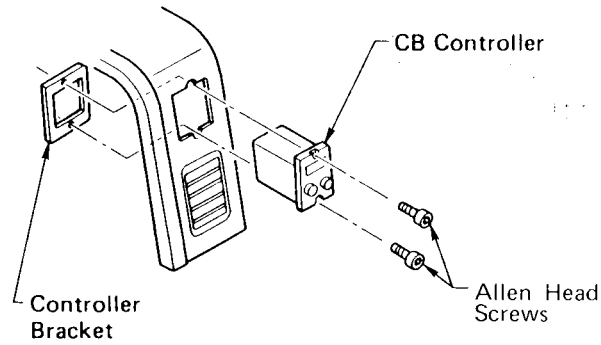
● **Cover Removal**

- 1) Open the Cover by pulling its lower edge up.
- 2) Remove (U) and (V), and remove the Cover.



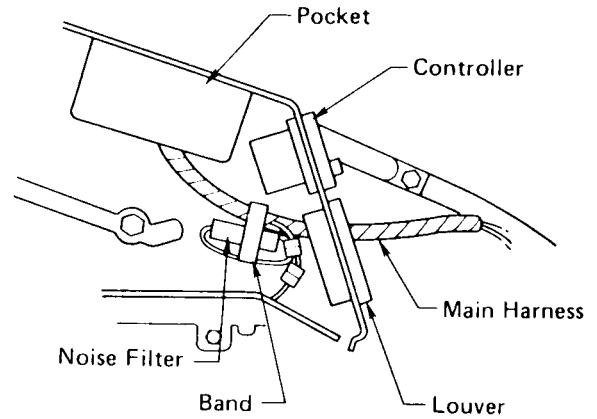
● **CB Controller Installation**

Affix the CB Controller, using Allen Head Screws (2 pcs.), to the hole exposed when removing the Cover (U and V are not used.)



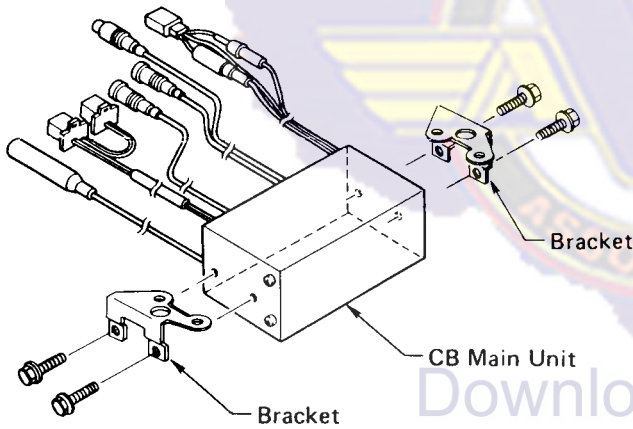
● **Noise Filter Connection**

- 1) Insert the Noise Filter in between the couplers (black) coming out from the Main Harness.
- 2) Affix the Noise Filter to the Main Harness with a Zip Tie, as shown in the figure.



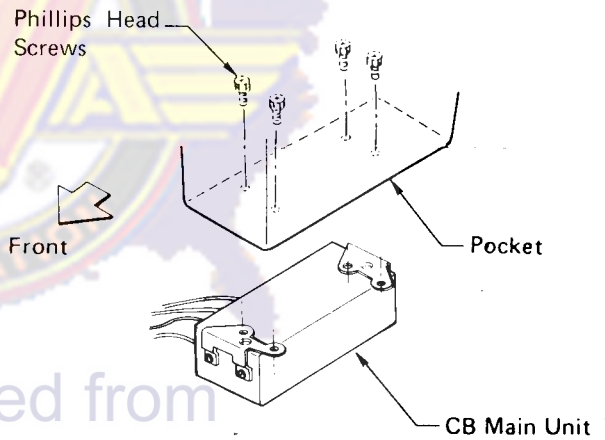
● **Attachment of the Bracket to the CB Main Unit**

To attach the Bracket to the CB Main Unit, use 4 Hex Head Screws (when doing so, observe the proper Bracket position).



● **CB Main Unit Mounting**

Mount the CB Main Unit on the Pocket, observing its proper position, and fix it with 4 Phillips Head Screws.



● **Filter unit installation**

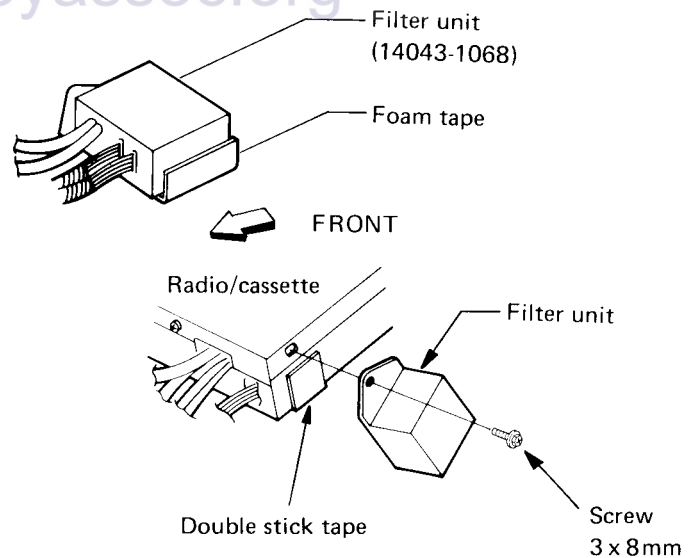
Put foam tape on the filter unit for protection of the existing wire harness.

Remove and discard a screw on the front of the left side of the radio.

Put the double-sided tape (provided with filter unit) on the front of the left side of the radio.

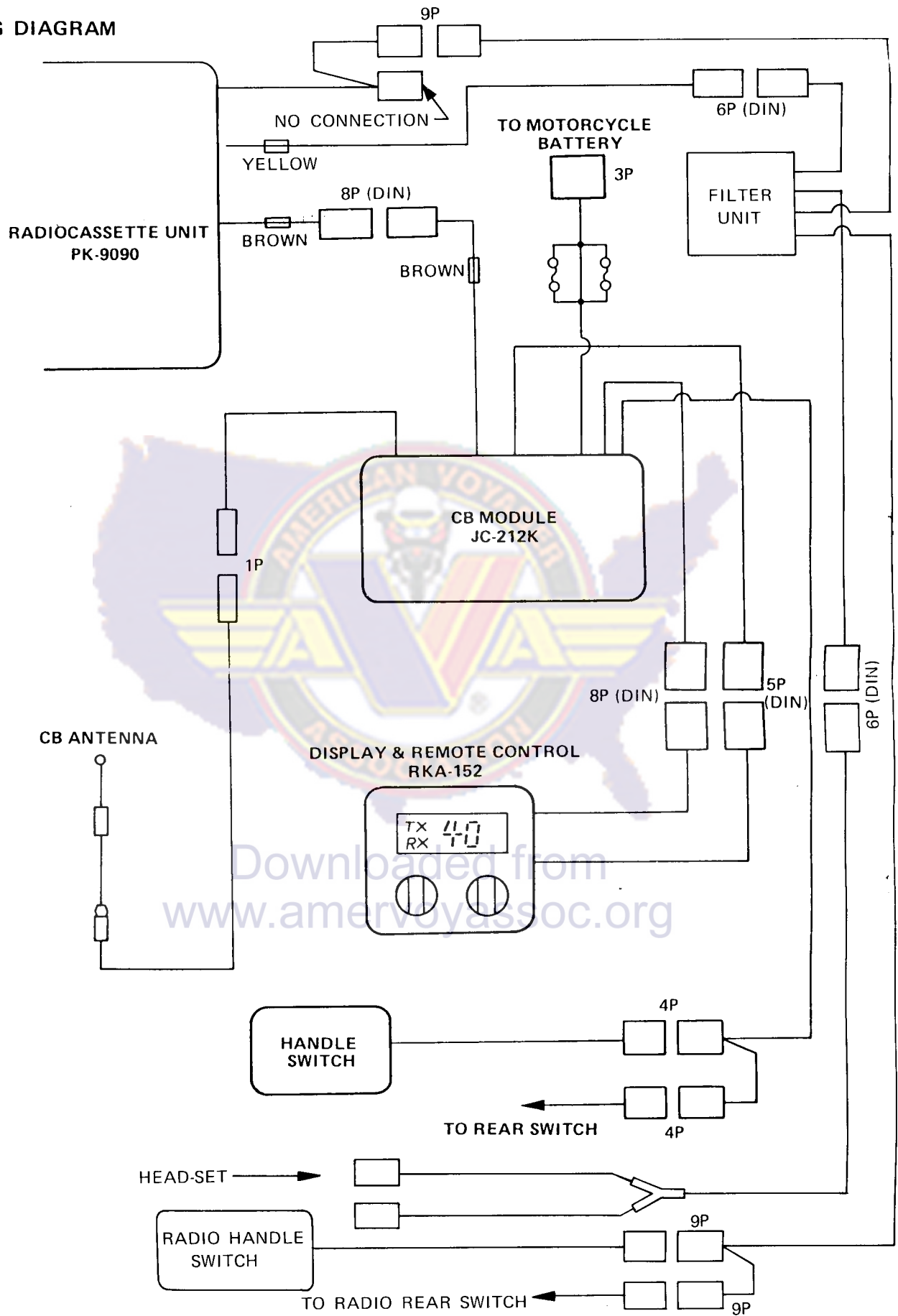
Put a nonpermanent-type locking agent ("Lock N Seal, P/N K61079-001) on the 3mm diameter, 8mm long screw provided with the filter unit.

Locate the filter unit on the radio, leaving enough space from the fairing bracket, and install the 3mm x 8mm screw.



Downloaded from  
www.amervoyassoc.org

**WIRING DIAGRAM**



Downloaded from  
www.amervoyassoc.org

## INSTALLATION PROCEDURE

Keep the ignition switch off during installation.

1. Remove the Rearview Mirror, the Headlight Cover, the Headlight, the Windshield, the Lower Cowl, the Side Cowl, the Rear Seat, the Driver's Seat and the Dummy Tank.
2. Route Rider and main plug from the CB location over the Gas Tank. Follow the Antenna Lead to position A.
3. Reinstall Dummy Tank: Attach Connector Holder to the center of Dummy Tank, just above seat. Attach the DIN Connector to the Holder.
4. Route passenger cable to Rear Trunk. Follow Antenna. Attach the Holder to the Trunk as shown in Fig. 6. Affix cable with straps supplied. Replace all previously removed parts.

## "NOTE"

1. When connecting the fuel hoses to the fuel tank, make sure that the hose fastened with the thinner clip is connected to the fuel tap while the one with the thicker clips is connected to the check valve.
2. When installing the lower fairing, make sure it is fitted tightly and leaves no gap.
3. The metal fixture in the fairing right pocket should have no excessive play when the lid is attached to it.
4. Do not attempt to operate unit until Installation is complete.
5. After Installation, the Antenna must be matched to unit to obtain proper operation. (Please see Bulletin Number ZN1300-AVA2).

